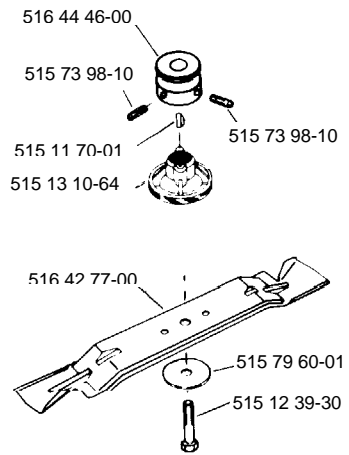


Royal 48 S



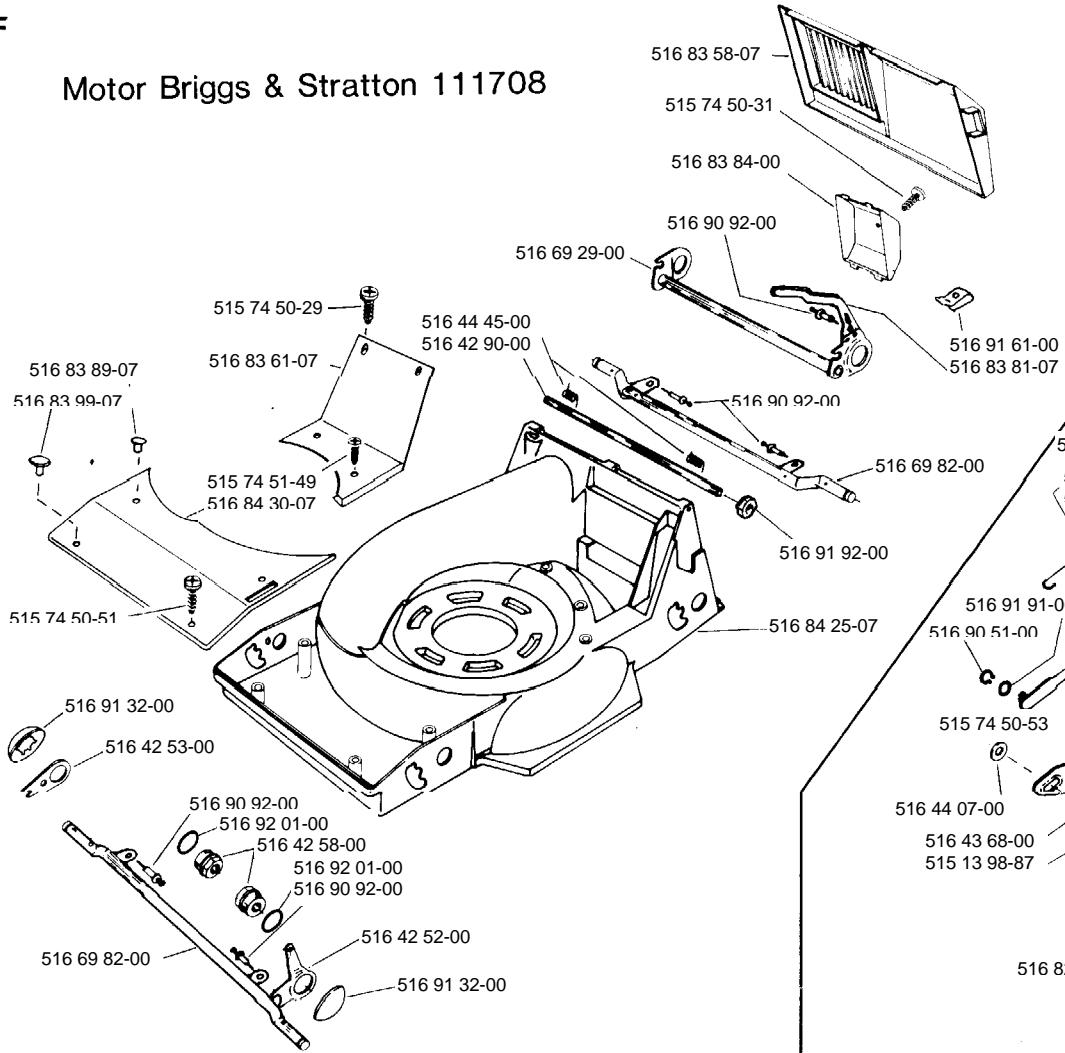
1.1987
Reservdelar
Spare parts
Ersatzteile
Pièces de rechange
Reserve-onder delen

E

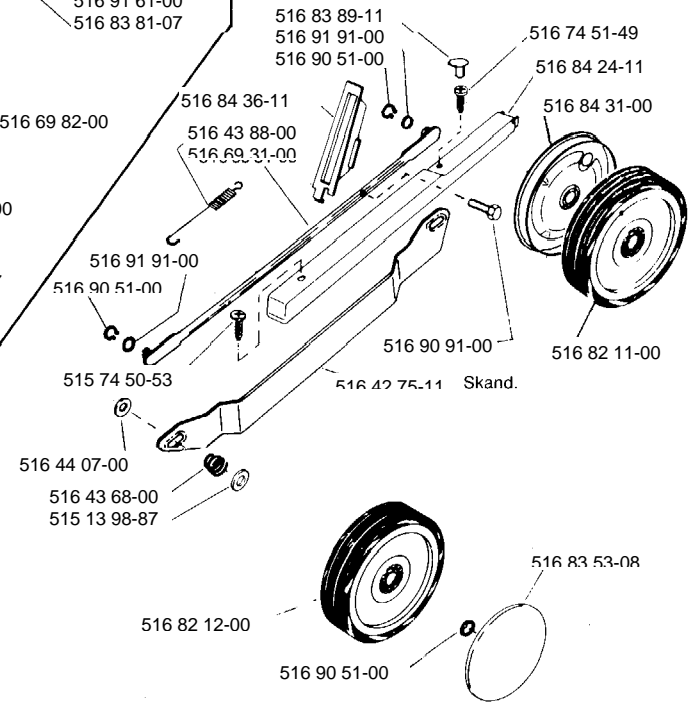


F

Motor Briggs & Stratton 111708



G



| Beställn. nummer Part Number Best. Nr. N° de référence Best. nr. | Ruta Square Viereck Carreau Vak | Beställn. nummer Part Number Best. Nr. N° de référence Best. nr. | Ruta Square Viereck Carreau Vak |
|--|---|--|---|
| 071 18 35-07 | C | 516 69 46-00 | B |
| 515 10 43-79 | C | 516 69 82-00 | F |
| 515 11 11-71 | B | 516 69 84-00 | A |
| 515 11 11 72 | B | 516 78 55-00 | C |
| 515 11 70-01 | E | 516 81 81-00 | C |
| 515 12 39-30 | E | 516 81 84-00 | C |
| 515 13 10-64 | E | 516 82 11-00 | G |
| 515 13 98-87 | G | 516 82 12-00 | G |
| 515 70 18-10 | B | 516 83 25-00 | C |
| 515 70 18-30 | A | 516 83 53-08 | G |
| 515 72 46-35 | C | 516 83 58-07 | F |
| 515 73 98-10 | E | 516 83 61-07 | F |
| 515 74 50-29 | F | 516 83 63-07 | C |
| 515 74 50-31 | F | 516 83 67-00 | C |
| 515 74 50-51 | F | 516 83 68-11 | C |
| 515 74 50-53 | G | 516 83 69-00 | D |
| 515 74 51-26 | A | 516 83 70-07 | D |
| 515 74 51-49 | F, G | 516 83 71-00 | C |
| 515 76 20-06 | C | 516 83 75-07 | F |
| 515 76 80-09 | A | 516 83 81-07 | F |
| 515 76 80-10 | C | 516 83 84-00 | F |
| 515 76 80-12 | B | 516 83 89-07 | F |
| 515 76 80-16 | B | 516 83 89-11 | G |
| 515 78 65-28 | B | 516 83 99-07 | F |
| 515 79 60-01 | E | 516 84 00-00 | C |
| 516 42 52-00 | F | 516 84 08-00 | C |
| 516 42 53-00 | F | 516 84 22-00 | A |
| 516 42 57-00 | B | 516 84 24-11 | G |
| 516 42 58-00 | F | 516 84 25-07 | F |
| 516 42 62-00 | B | 516 84 30-07 | F |
| 516 42 63-00 | B | 516 84 31-00 | G |
| 516 42 65-00 | B | 516 84 36-11 | G |
| 516 42 66-00 | B | 516 90 48-00 | C |
| 516 42 75-11 | G | 516 90 51-00 | G |
| 516 42 77-00 | E | 516 90 84-00 | B |
| 516 42 90-00 | F | 516 90 90-00 | B |
| 516 42 95-00 | B | 516 90 91-00 | B, G |
| 516 42 97-00 | B | 516 90 92-00 | F |
| 516 43 01-07 | C | 516 90 97-00 | B |
| 516 43 04-00 | C | 516 91 00-00 | B |
| 516 43 05-07 | C | 516 91 59-00 | C |
| 516 43 17-00 | B | 516 91 12-00 | B |
| 516 43 20-00 | B | 516 91 30-00 | F |
| 516 43 21-00 | C | 516 91 32-00 | F |
| 516 43 68-00 | G | 516 91 61-00 | F |
| 516 43 88-00 | G | 516 91 62-00 | B |
| 516 43 95-07 | D | 516 91 91-00 | G |
| 516 44 02-00 | C | 516 91 92-00 | F |
| 516 44 06-00 | B | 516 91 94-00 | B |
| 516 44 07-00 | G | 516 91 99-00 | A |
| 516 44 12-00 | C | 516 92 01-00 | F |
| 516 44 21-00 | B | | |
| 516 44 45-00 | F | | |
| 516 44 46-00 | E | | |
| 516 44 49-00 | B | | |
| 516 44 54-11 | C | | |
| 516 69 29-00 | F | | |
| 516 69 31-00 | G | | |
| 516 69 37-00 | B | | |
| 516 69 38-00 | D | | |